

Nest i1

1200 x 1000



Nestable, light weight plastic pallet in industrial-size

At only 5,5 kg, the Nest i1 is the lightest 1200 x 1000 pallet, but it transports heavy loads over long distances. It is ideal for one-way shipping. The version with the closed deck stays nestable and protects cargo from pressure points and soil from below.

Bottom support

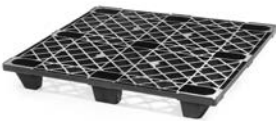


> 9 feet (9F)



> 3 runners (3R)

Deck options



> open deck (OD)



> closed deck (CD)

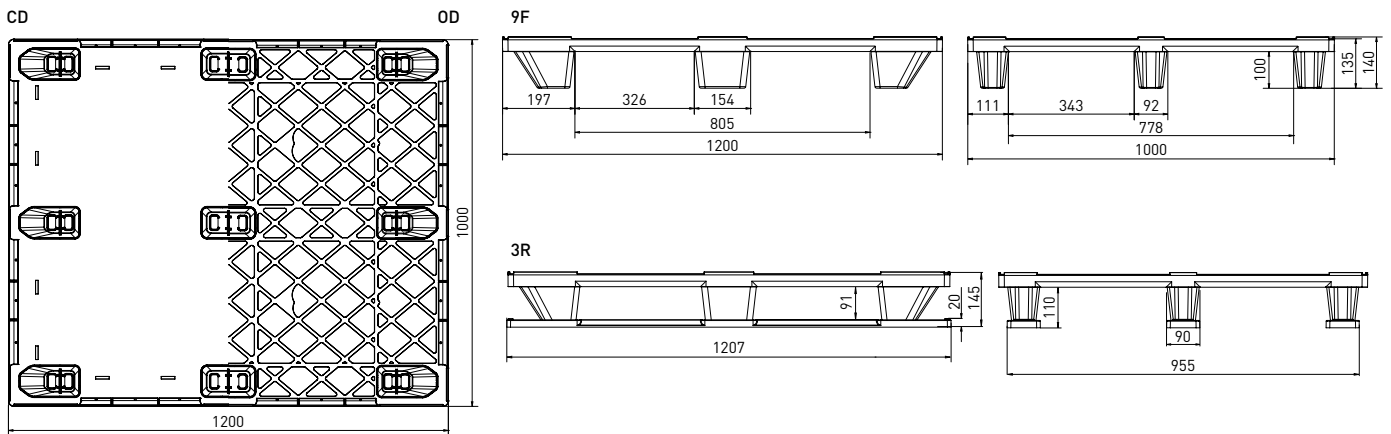


Smooth and clean surfaces guarantee the hygienic transport of food.

Technical data*1

	Bottom support	Top deck	Dimensions [mm]	Load capacities*2 [kg]			Weight [kg]		Pallets per	
				Static	Dynamic	Racking	HDPE	PO	Stack	Truck
Nest i1 (OD-9F)	9 feet, nestable	open	1200 x 1000 x 135	1600	1000	-	5,5	6,0	55	1430
Nest i1 (CD-9F)		closed					8,5	9,5		
Nest i1 (OD-3R)	3 runners	open	1200 x 1000 x 145	3000	1250	-	7,5	8,0	16	416
Nest i1 (CD-3R)		closed					10,0	11,5		

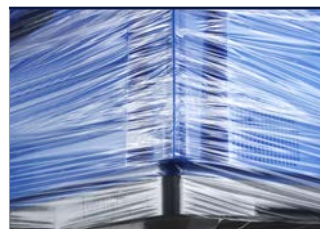
Entry: 4 ways | Nesting height: 42 mm | Safety rim: 5 mm



nominal sizes in mm

Options

- Color: [other colors on request*3] > Individual marking*3
- Anti-slip: safety rim (standard)
- ESD prevention: -



*1 Figures can vary depending on the raw material used and options applied. *2 Guideline values are based both on experience and parts of test ISO 8611, which tests with evenly distributed loads at room temperature (20°C). Varying data may result from different conditions of usage. Your specific requirements can be identified upon request. *3 Minimum quantity required - PO pallets should only be used and stored in a dry environment. We reserve the right to change any of the stated information without prior notice.