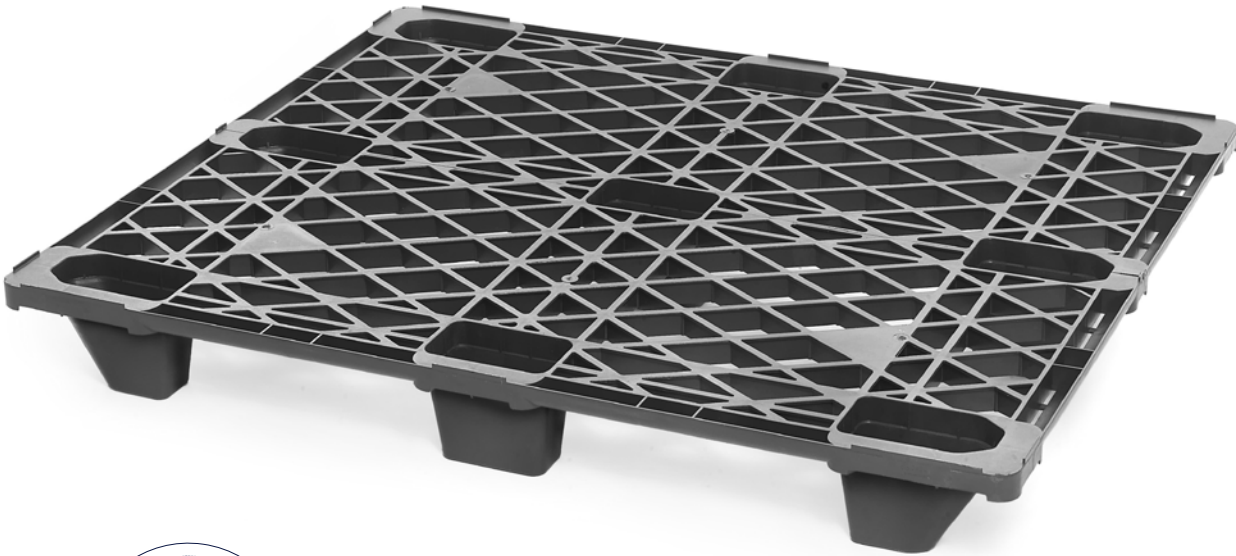


Nest US1.1

1219 x 1016



Nestable, extremely light weight plastic pallet in imperial units 48" x 40"
The new CPP 100 with its 5.0 kg becomes the lightest 48x40 inch pallet in our program. It is excellently suited for one-way shipping and air cargo.

Bottom support



> 9 feet (9F)



> 3 runners (3R)

Deck options



> open deck (OD)



> closed deck (CD)

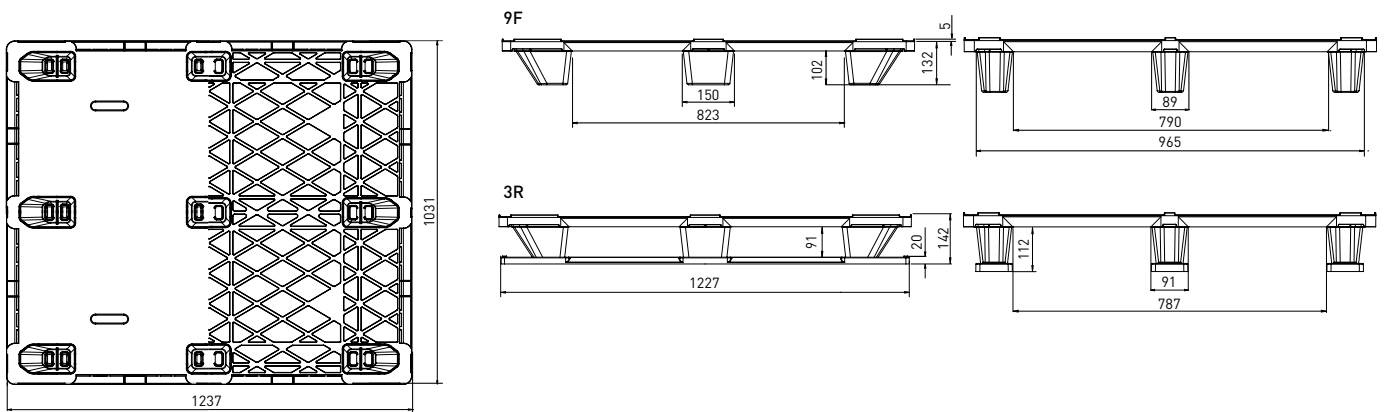


Excellently suited for air cargo

Technical data*1

	Bottom support	Top deck	Dimensions [mm]	Load capacities*2 [kg]			Weight [kg]		Pallets per	
				Static	Dynamic	Racking	HDPE	PO	Stack	Truck
Nest US1.1 (OD-9F)	9 feet, nestable	open	1219 x 1016 x 132	1600	1000	-	5,0	5,5	75	1950
Nest US1.1 (CD-9F)		closed					6,5	7,5		
Nest US1.1 (OD-3R)	3 runners	open	1219 x 1016 x 142	3000	1250	-	7,0	7,5	15	390
Nest US1.1 (CD-3R)		closed					9,0	10,5		

Entry: 4 ways | Nesting height: 31 mm | Safety rim: 5 mm



nominal sizes in mm

Options

- Color: [other colors on request*3] > Individual marking*3
- Anti-slip: safety rim (standard)
- ESD prevention: -



*1 Figures can vary depending on the raw material used and options applied. *2 Guideline values are based both on experience and parts of test ISO 8611, which tests with evenly distributed loads at room temperature (20°C). Varying data may result from different conditions of usage. Your specific requirements can be identified upon request. *3 Minimum quantity required - PO pallets should only be used and stored in a dry environment. We reserve the right to change any of the stated information without prior notice.