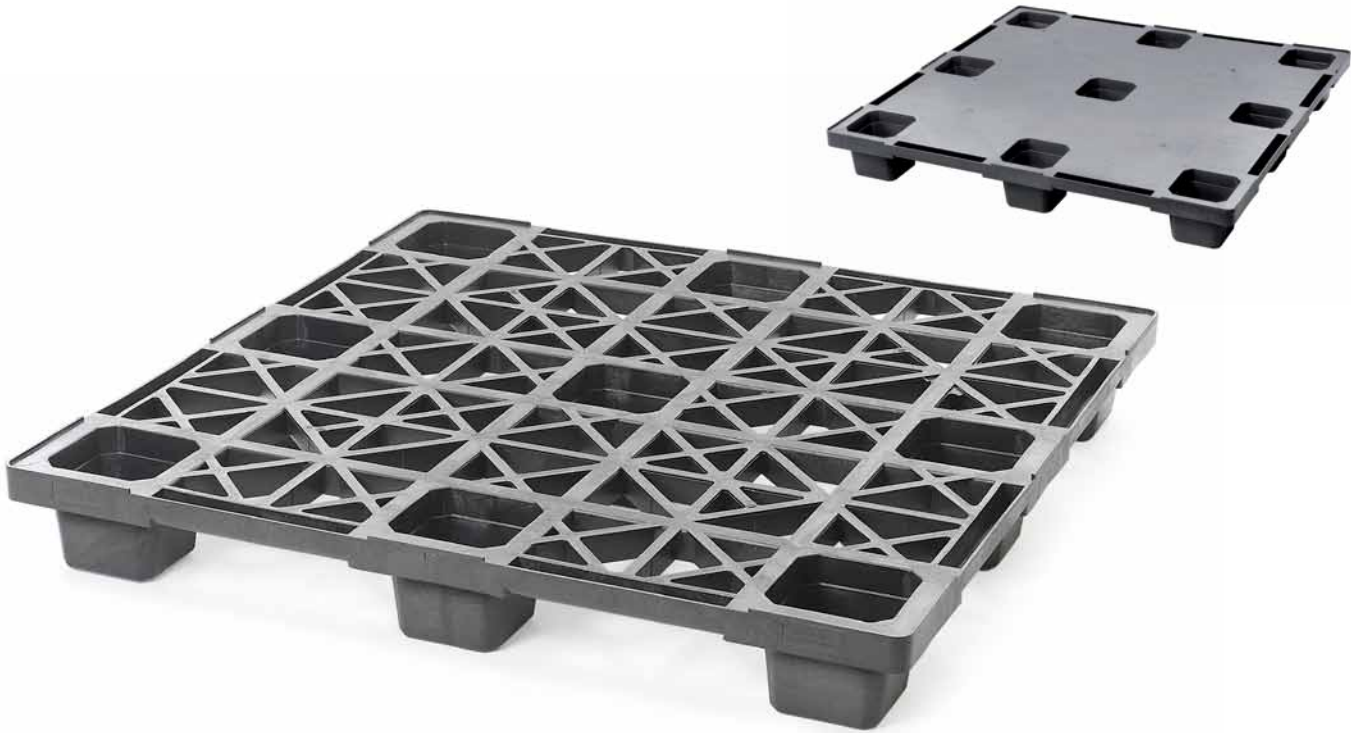


# Nest S5

1200 x 1200



**Nestable plastic pallet in special size 1200 x 1200 mm**

By its quadratic sizes of 1200 mm the Nest S5 provides a particularly large contact area for the cargo. Six modular units (600 x 400 mm) per layer can be transported. The pallet comes with an open or closed upper deck. Besides the nestable version (9 feet), the pallet is also available with 3 and 6 runners and can therefore be used for block stacking.

**Bottom support**



> 9 feet (9F)



> 3 runners (3R)

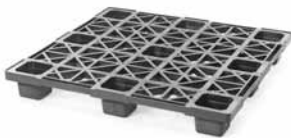


> 6 runners (6R)



Optional without safety rim

**Deck options**



> open deck (OD)



> closed deck (CD)



Rounded edges

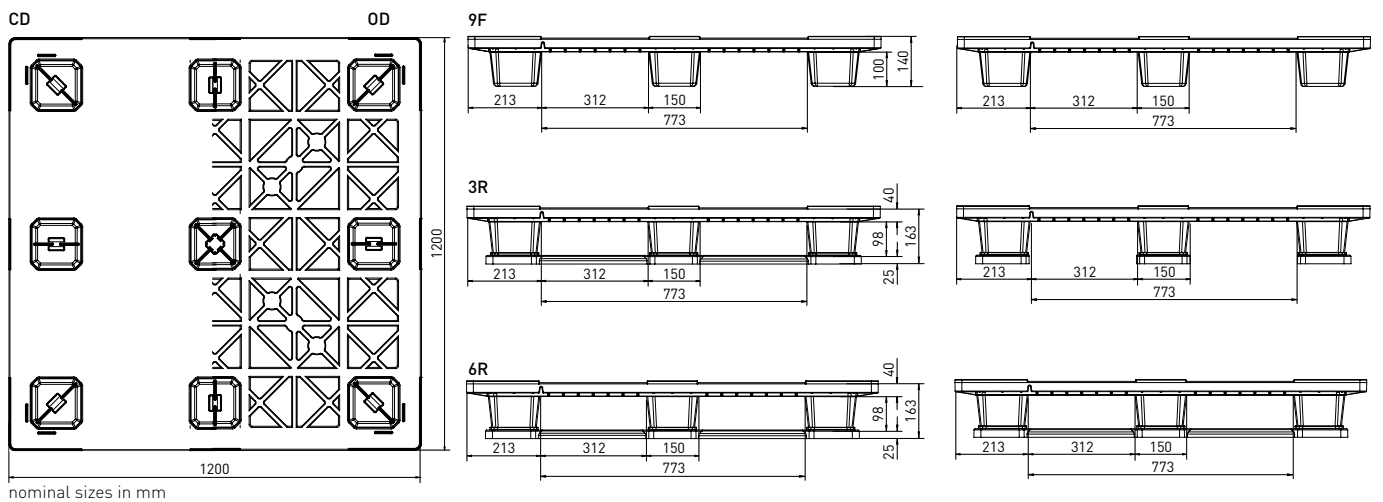


Easy handling

## Technical data\*1

	Previous name	Bottom support	Top deck	Dimensions [mm]	Load capacities*2 [kg]			Weight [kg]	
					Static	Dynamic	Racking	HDPE	PO
Nest S5 (OD-9F)	-	9 feet, nestable	open	1200 x 1200 x 140	4000	1500	-	11,0	12,5
Nest S5 (CD-9F)	-		closed					13,0	14,5
Nest S5 (OD-3R)	-	3 runners	open	1200 x 1200 x 163	6000	1850	300	14,5	16,0
Nest S5 (CD-3R)	-		closed					16,5	18,0
Nest S5 (OD-6R)	-	6 runners	open	1200 x 1200 x 163	8000	2400	300	16,0	17,5
Nest S5 (CD-6R)	-		closed					18,0	19,5

Entry: 4 ways | Nesting height: 60 mm | Safety rim: 5 mm (optional without)



## Options

- Color:  [other colors on request\*3] > Individual marking\*3
- Anti-slip:  safety rim
- ESD prevention:  -



\*1 Figures can vary depending on the raw material used and options applied. \*2 Guideline values are based both on experience and parts of test ISO 8611, which tests with evenly distributed loads at room temperature (20°C). Varying data may result from different conditions of usage. Your specific requirements can be identified upon request. \*3 Minimum quantity required - PO pallets should only be used and stored in a dry environment. We reserve the right to change any of the stated information without prior notice.