

Nest E5.1

1200 x 800



Nestable, very light weight euro-pallet

The Nest E5.1 is a modern order-picking pallet with a million units already in use. Many European businesses rely on this plastic pallet when transporting goods from the distribution warehouse to the sales floor. They are convinced of its advantages over the traditional wooden Euro pallet.

Bottom support



> 9 feet (9F)

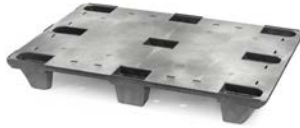


> 3 runners (3R)

Deck options



> open deck (OD)



> closed deck (CD)

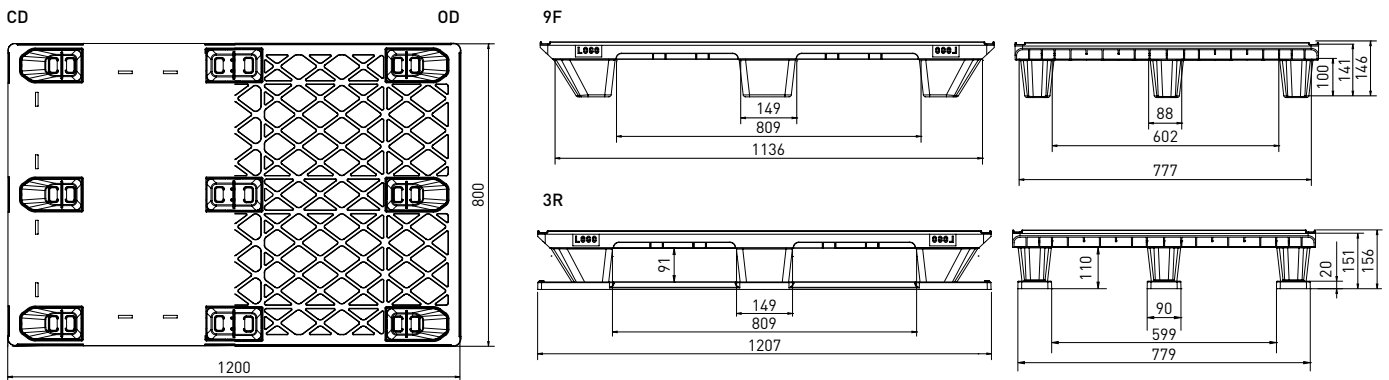


Recycled-plastics pallet in the food retail industry

Technical data*1

	Bottom support	Top deck	Dimensions [mm]	Load capacities*2 [kg]			Weight [kg]		Pallets per	
				Static	Dynamic	Racking	HDPE	PO	Stack	Truck
Nest E5.1 (OD-9F)	9 feet, nestable	open	1200 x 800 x 140	2800	1200	-	6,5	7,5	40	1320
Nest E5.1 (CD-9F)		closed					8,5	9,5		
Nest E5.1 (OD-3R)	3 runners	open	1200 x 800 x 150	4000	1600	-	8,0	10,0	16	528
Nest E5.1 (CD-3R)		closed					10,0	12,0		

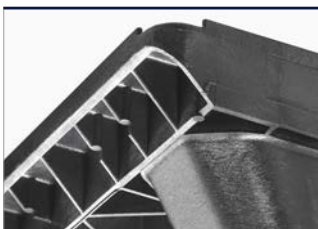
Entry: 4 ways | Nesting height: 55 mm | Safety rim: 5 mm



nominal sizes in mm

Options

- Color: [other colors on request*3] > Individual marking*3
- Anti-slip: safety rim (standard)
- ESD prevention: -



*1 Figures can vary depending on the raw material used and options applied. *2 Guideline values are based both on experience and parts of test ISO 8611, which tests with evenly distributed loads at room temperature (20°C). Varying data may result from different conditions of usage. Your specific requirements can be identified upon request. *3 Minimum quantity required - PO pallets should only be used and stored in a dry environment. We reserve the right to change any of the stated information without prior notice.