

Nest D2

600 x 400



Lightweight, nestable quarter pallet

The quarter pallet for display positioning or for simple use as an one-way shipping pallet. Thanks to its low weight, handling at the Point of Sale is simplified to a significant degree and made safer. Displays can be locked in the intended positions.

Bottom support



> 4 feet (4F)

Deck options



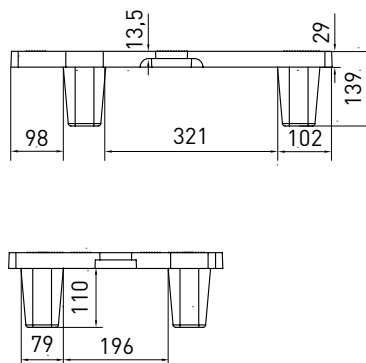
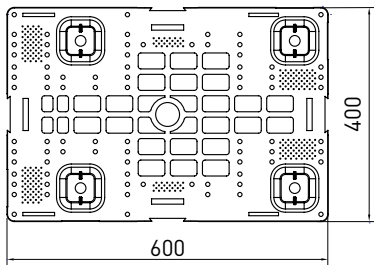
> open deck (OD)



Technical data*1

	Bottom support	Top deck	Dimensions [mm]	Load capacities*2 [kg]			Weight [kg]		Pallets per	
				Static	Dynamic	Racking	PP	P0	Stack	Truck
Nest D2 (OD-4F)	4 feet, nestable	open	600x400x139	800	250	–	1,7	–	200	6600

Entry: 4 ways | Nesting height: 45 mm | Safety rim: –



nominal sizes in mm

Options

Color: (other colors on request*3) > Individual marking*3

Anti-slip:

ESD prevention:



*1 Figures can vary depending on the raw material used and options applied. *2 Guideline values are based both on experience and parts of test ISO 8611, which tests with evenly distributed loads at room temperature (20°C). Varying data may result from different conditions of usage. Your specific requirements can be identified upon request. *3 Minimum quantity required - PO pallets should only be used and stored in a dry environment. We reserve the right to change any of the stated information without prior notice.