

# Endur C7.2 | 1140 x 1140



Available in



### Robust container plastic pallet

Developed for transport in ISO freight containers, the Endur C7.2 leaves no empty storage space. The robust design provides inherent impact resistance and a load capacity of up to 1250 kg in the high rack. This pallet is optimal for use in automated conveyor systems. Besides the 3 runners version, the pallet is also available with 6 runners and can therefore be used for block stacking. The pallet comes with an open or closed upper deck.

#### Bottom support



> 3 runners (3R)



> 6 runners (6R)

#### Deck options



> open deck (OD)



> closed deck (CD)



anti-slip strips (optional)

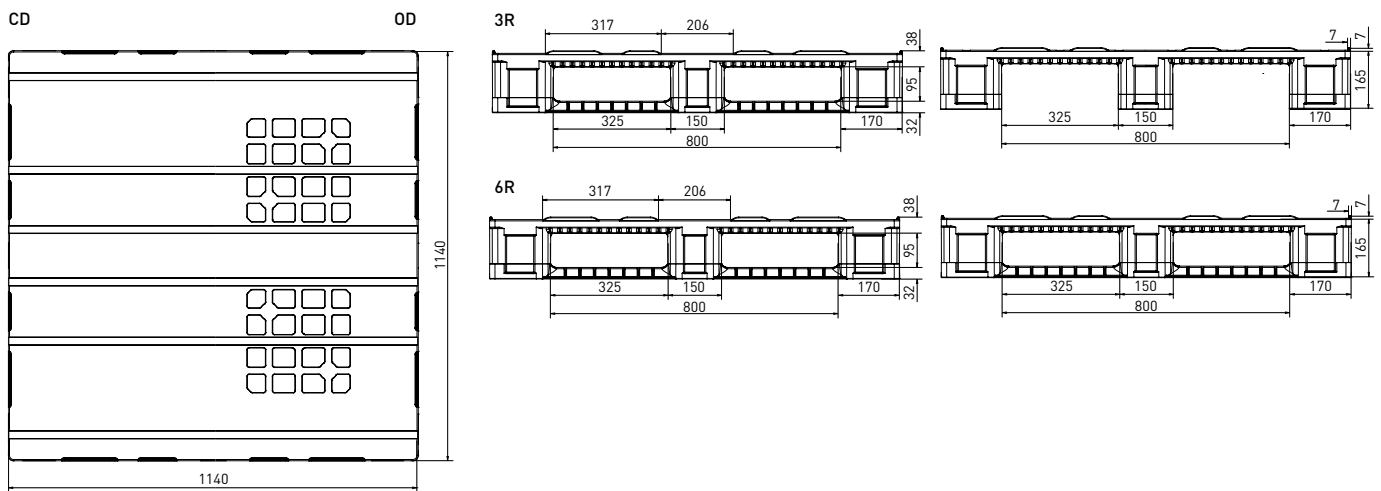


Available with up to 12 anti-slip pads

## Technical data\*1

	Bottom support	Top deck	Dimensions [mm]	Load capacities*2 [kg]			Weight [kg]		Pallets per	
				Static	Dynamic	Racking	PP	PO	Stack	Truck
Endur C7.2 (OD-3R)	3 runners	open	1140 x 1140 x 165	5000	2500	1250	22,5	27,0	15	342
Endur C7.2 (CD-3R)		closed					23,0	27,5		
Endur C7.2 (OD-6R)	6 runners	open					25,5	31,0		
Endur C7.2 (CD-6R)		closed					26,0	31,5		

Entry: 4 ways | Nesting height: - | Safety rim: 7 mm (optional without)



nominal sizes in mm

## Options

- Color:  [other colors on request\*3] > Individual marking\*3
- Anti-slip: safety rim, strips on deck, grommets under deck > RFID transponders
- ESD prevention: anti-static, conductive



\*1 Figures can vary depending on the raw material used and options applied. \*2 Guideline values are based both on experience and parts of test ISO 8611, which tests with evenly distributed loads at room temperature (20°C). Varying data may result from different conditions of usage. Your specific requirements can be identified upon request. \*3 Minimum quantity required \*4 Available on demand - PO pallets should only be used and stored in a dry environment. We reserve the right to change any of the stated information without prior notice.