

# Eco i5.1

1200 x 1000



**Plastic pallet for medium loads**

The Eco i5.1 has been engineered to offer high performance at low cost, accepting dynamic loads up to 1500 kg and racking loads of 1000 kg – with a net weight of only 14 kg! Ideal for closed loops, distribution, production areas and exports – across all industry sectors – Food, Retail, Newspapers and Pharmaceuticals. The open deck, with flow through block design, ensures effective cleaning and quick drying – either manually or through automated washers.

**Bottom support**



> 2 runners (2R)



> 3 runners (3R)



> 5 runners (5R)



Rounded borders reduces the risk of fork access damage

**Deck options**



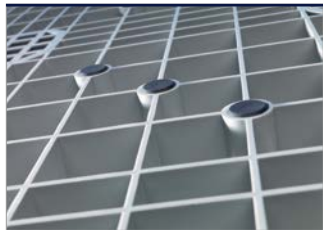
> open deck (OD)



> closed deck (CD)



Flow through block design ensures effective cleaning.

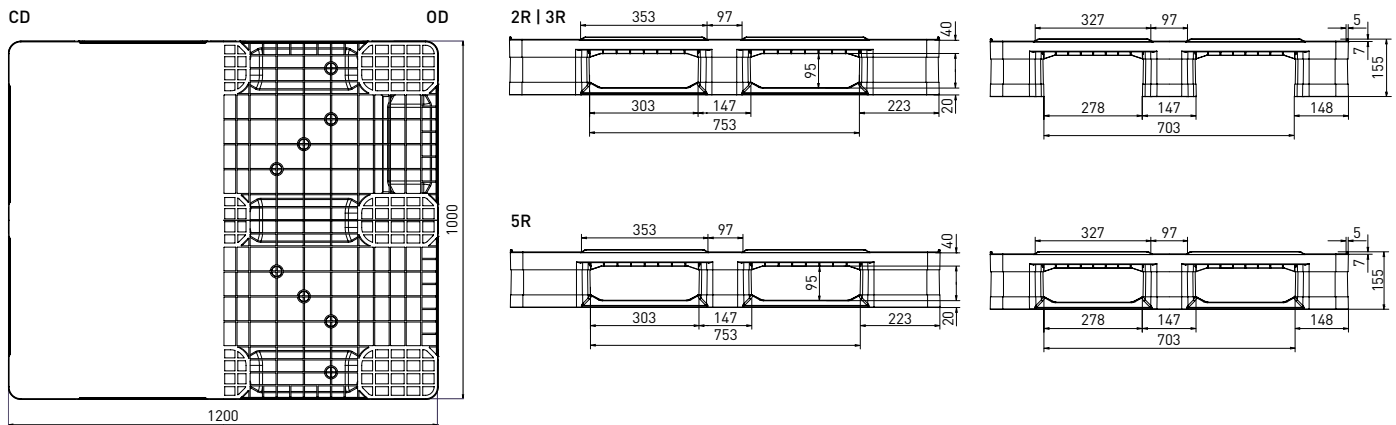


Available with up to 12 anti-slip pads

## Technical data\*1

	Bottom support	Top deck	Dimensions [mm]	Load capacities*2 [kg]		Weight [kg]			Pallets per	
				Static	Dynamic	Racking	PP	PO	Stack	Truck
Eco i5.1 (CD-2R)	2 runners	closed	1200 x 1000 x 150	3000	1500	750	15,0	—	25	550
Eco i5.1 (OD-3R)	3 runners	open	1200 x 1000 x 155	4000		1000	14,0	—	15	390
Eco i5.1 (CD-3R)		closed	1200 x 1000 x 150	3000		750	16,0	—	25	550
Eco i5.1 (OD-5R)	5 runners	open	1200 x 1000 x 155	4000		1000	15,0	—	15	390

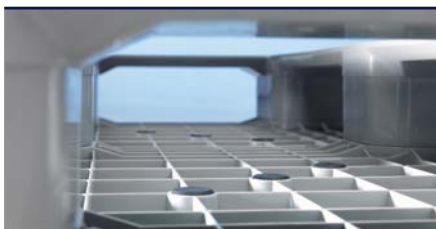
Entry: 4 ways | Nesting height: - | Safety rim: 7 mm (optional without)



nominal sizes in mm

## Options

- Color:   (other colors on request\*3) > Individual marking\*3
- Anti-slip: safety rim, strips on deck (CD), grommets on deck (OD), grommets under deck > RFID transponders
- ESD prevention: anti-static > Fire retardant



\*1 Figures can vary depending on the raw material used and options applied. \*2 Guideline values are based both on experience and parts of test ISO 8611, which tests with evenly distributed loads at room temperature (20°C). Varying data may result from different conditions of usage. Your specific requirements can be identified upon request. \*3 Minimum quantity required - PO pallets should only be used and stored in a dry environment. We reserve the right to change any of the stated information without prior notice.