

Eco US5

1219 x 1016



Universal multi-trip plastic pallet for loads up to 2800 lbs (1300 kg) in the high rack

The Eco US5 has been engineered as a real all-rounder that offers high performance. It is universally applicable in closed circuits, production plants and goods distribution. The high impact strength of this plastic pallet significantly reduces the risk of damage with such improper handling, and thus extends the service life. The pallet can be equipped with additional metal reinforcements. This makes the pallet highly durable and perfectly suited for high racks. With a net weight starting at only 31 lbs (14 kg), the Eco US5 takes dynamic loads of up to 5600 lbs (2500 kg) and racking loads of up to 2800 lbs (1250 kg).

Bottom support



> 3 runners (3R)



> 3 runners (3R-M)



> 6 runners (6R)



> 6 runners (6R-M)

Deck options



> open deck (OD)



> closed deck (CD)



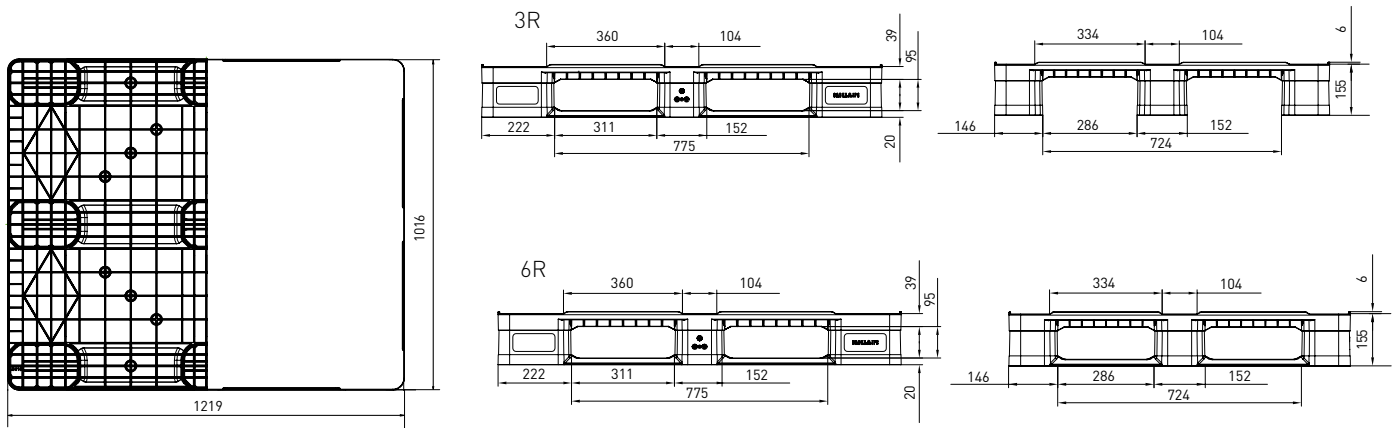
Metal reinforcements makes the pallet perfectly suited for high racks.

Technical data*1

	Bottom support	Top deck	Dimensions [mm]	Load capacity *2 [kg]			Weight [kg]		Pallets per	
				Static	Dynamic	Racking	PP	PO	Stack	LKW
Eco US5 (OD-3R)	3 runners	open	1219 x 1016 x 155	4000	2000	1000	14,0	—	15	390
Eco US5 (CD-3R)		closed					17,0	—		
Eco US5 (OD-6R)	6 runners	open					15,5	—		
Eco US5 (CD-6R)		closed					18,0	—		
Eco US5 (OD-3R-M)*	3 runners	open, metalreinforced		5100	2500	1250	20,5	—		
Eco US5 (CD-3R-M)*		closed, metalreinforced					23,5	—		
Eco US5 (OD-6R-M)*	6 runners	open, metalreinforced		5100	2500	1250	21,5	—		
Eco US5 (CD-6R-M)*		closed, metalreinforced					24,5	—		

* 1.0 in coated steel square tube

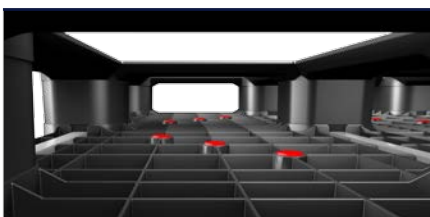
Entry: 4 ways | Nesting height: - | Safety rim: 6 mm (optional without)



nominal sizes mm

Options

- Color: (other colors on request*3)
- Anti-slip: safety rim, anti-slip on top deck, grommets under deck (12) and under runners (4)
- ESD prevention: -
- > HACCP-compliant PP with FDA approval (freezer additives available)
 - > Individual marking*3
 - > RFID transponders



*1 Figures can vary depending on the raw material used and options applied. *2 Guideline values are based both on experience and parts of test ISO 8611, which tests with evenly distributed loads at room temperature (20°C). Varying data may result from different conditions of usage. Your specific requirements can be identified upon request. *3 Minimum quantity required - PO pallets should only be used and stored in a dry environment. We reserve the right to change any of the stated information without prior notice.